

product technical sheet

collection	BOUNCE
code	EVLABOU - EVLABOUN
description	Washbasin in soft polyurethane
certifications	TUV system certification UNI EN ISO 9001. Compliant to the Regulation 305/2011 and to the rule EN 14688.
features	Countertop installation: the product can be installed on a table top of the customer, or it can be installed on a bracket wall mounted made of steel. Color white or black. Smooth surface finish. Overflow not included. Waste coupling included, made of chrome-plated brass with always open tap made of white Corian or mat black painted. Available, on demand, the waste coupling click clack. Inside frame made of carbon-steel with galvanic treatment.
size	560 x 340 x 180 mm
installation	Install on a table top using 4 screws M6 (table top and screws not included), or wall mounting with a specific bracket (not included, that you can order adding the code EVLASTA: bracket painted polished white, or EVLASTAN: bracket painted mat black), using appropriate fasteners. Connect to the water drain. Check the solidity of the installation of the product, and make sure about a safely installation.
finishes	EVLABOU: white color with waste coupling in white Corian. EVLABOUN: clack color with waste coupling black painted.
maintenance	Check periodically the correct fixation of the washbasin. A proper maintenance and care of polyurethane products can contribute to have a better durability. For the cleaning, we suggest to use only water and neutral soap, do not use sponges or abrasive clothes. If you expose the product to chemical products, such as solvents, alcohol-based cleaners, bleach, oils, acids or bases, can be influenced the durability of the material, with the possibility to have a chemical deterioration, swellings, deformations, stains or alteration of the properties of the material, reducing its duration. Avoid prolonged and direct exposure to sun's UV rays. Do not expose to temperatures higher than 80°C. The material is not self-extinguishing.

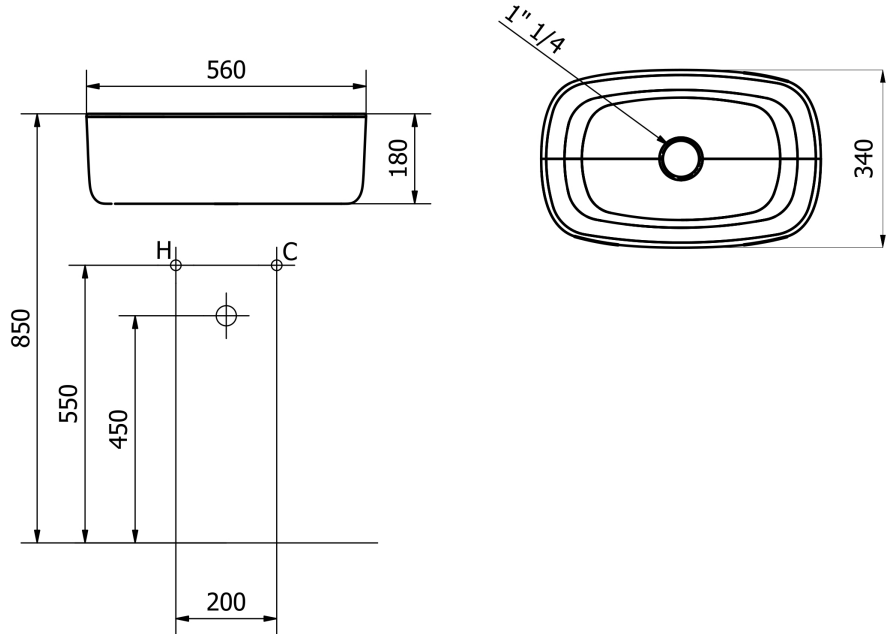
ST_PRODOTTO: EVLABOU - EVLABOUN - REV.02 of 09/11/2023 - 17/12/24 - APPROVED T.D.

product technical sheet

A regular cleaning, UV protection, an adequate managing of mechanical loads, and avoid the exposure to chemicals products, contribute to prolonging the life of the material.

materials

Polyurethane, steel.



ST_PRODOTTO: EVLABOU - EVLABOUN - REV.02 of 09/11/2023 - 17/12/24 - APPROVED T.D.