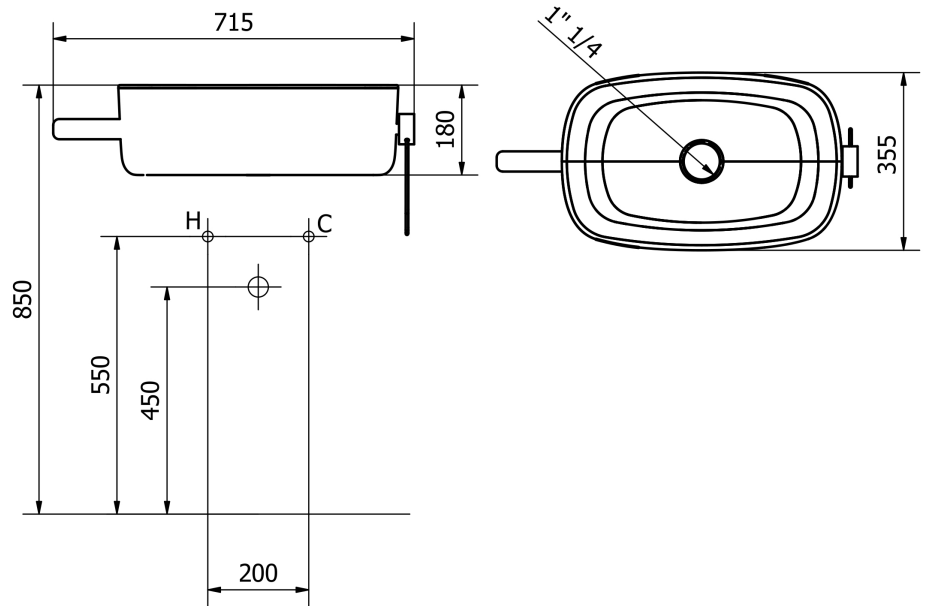


## product technical sheet

collection	<b>BOUNCE</b>
code	<b>EVLACPPAN</b>
description	Washbasin in Cristalplant with lateral hook and towel holder.
certifications	TUV system certification UNI EN ISO 9001. Compliant to the Regulation 305/2011 and to the rule EN 14688.
features	Countertop installation: the product can be installed on a table top of the customer, or it can be installed on a bracket wall mounted made of steel. Color white. Smooth surface finish. Overflow not included. Waste coupling click clack included, chrome plated with tap made of brass mat white painted. Provided with two towel holders, a straight one made of beechwood, and a ring one made of beechwood and nylon rope.
size	715 x 355 x 180 mm
installation	Install on a table top using 4 screws M6 ( table top and screws not included ), or wall mounting with a specific bracket ( not included, that you can order adding the code EVLASTA: bracket painted polished white ). Collegare lo scarico dell'acqua. Verificare che il prodotto sia installato in modo solido e sicuro.
finishes	White color. Waste coupling with tap white painted. Towel holder in natural beechwood. Grey rope.
maintenance	Check periodically the correct fixation of the washbasin. Clean only with neutral products, do not use aggressive or abrasive detergents; do not damage the surface.
materials	Cristalplant, beechwood, nylon.

ST\_PRODOTTO: EVLACPPAN - REV. 01 of 12/03/2021 - 17/12/24 - APPROVED T.D.

product technical sheet



ST\_PRODOTTO: EVLACPPAN - REV. 01 of 12/03/2021 - 17/12/24 - APPROVED T.D.