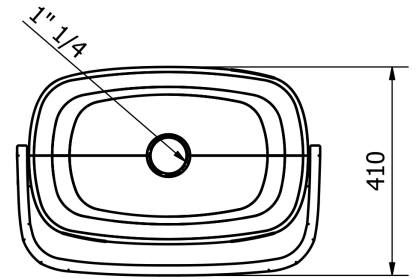
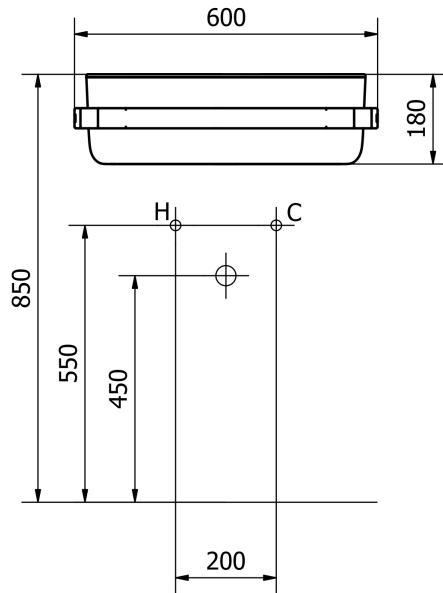


## product technical sheet

|                |   |
|----------------|---|
| collection     | <b>BOUNCE</b>   |
| code           | <b>EVLAHUG</b>  |
| description    | Soft polyurethane washbasin with encircling towel holder in beechwood.  |
| certifications | TUV system certification UNI EN ISO 9001.<br>Compliant to the Regulation 305/2011 and to the rule EN 14688.   |
| features       | Countertop installation: the product can be installed on a table top of the customer, or it can be installed on a bracket wall mounted made of steel.<br>Color white or black. Smooth surface finish.<br>Overflow not included.<br>Waste coupling included, made of chrome-plated brass with always open tap made of white Corian .<br>Available, on demand, the waste coupling click clack.<br>Inside frame made of carbon-steel with galvanic treatment.<br>Encircling towel holder in beechwood. |
| size           | 600 x 410 x 180 mm  |
| installation   | Install on a table top using 4 screws M6 ( table top and screws not included ), or wall mounting with a specific bracket ( not included, that you can order adding the code EVLASTA ) using appropriate fasteners.<br>Connect to the water drain. Check the solidity of the installation of the product, and make sure about a safely installation.   |
| finishes       | White color. Waste coupling in white Corian. Towel holder in natural beechwood.   |
| maintenance    | Check periodically the correct fixation of the washbasin. Clean only with neutral products, do not use aggressive or abrasive detergents; do not damage the surface.  |
| materials      | Polyurethane, steel, beechwood.   |

ST\_PRODOTTO: EVLAHUG - REV. 01 of 12/03/2021 - 13/07/23 - APPROVED T.D.

product technical sheet



ST\_PRODOTTO: EVLAHUG - REV. 01 of 12/03/2021 - 13/07/23 - APPROVED T.D.