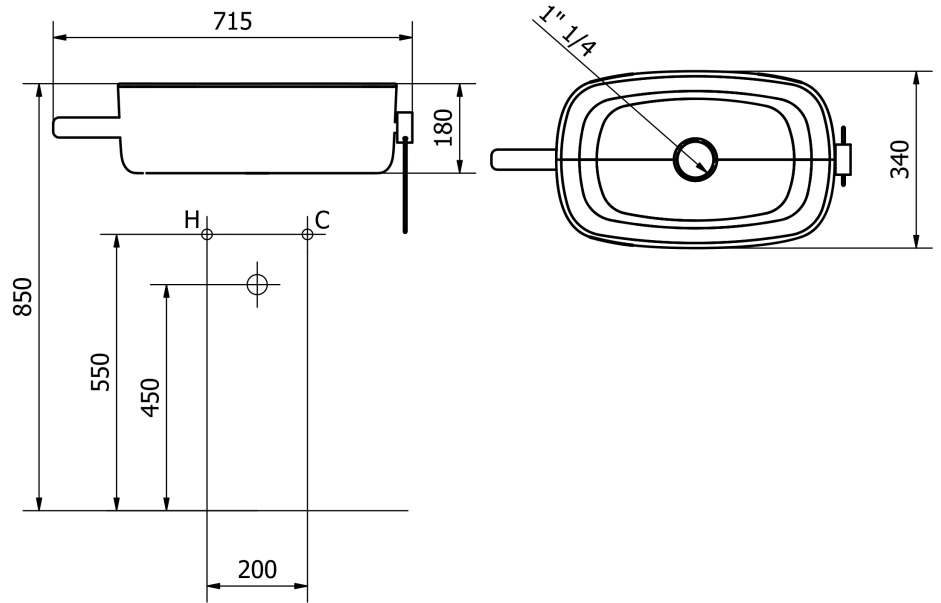


product technical sheet

collection	BOUNCE
code	EVLAPAN
description	Soft polyurethane washbasin with lateral hook and towel holder.
certifications	TUV system certification UNI EN ISO 9001. Compliant to the Regulation 305/2011 and to the rule EN 14688.
features	Countertop installation: the product can be installed on a table top of the customer, or it can be installed on a bracket wall mounted made of steel. Color white. Smooth surface finish. Overflow not included. Waste coupling included, made of chrome-plated brass with always open tap made of white Corian Available, on demand, the waste coupling click clack. Inside frame made of carbon-steel with galvanic treatment. Provided with two towel holders, a straight one made of beechwood, and a ring one made of beechwood and nylon rope.
size	715 x 340 x 180 mm
installation	Install on a table top using 4 screws M6 (table top and screws not included), or wall mounting with a specific bracket (not included, that you can order adding the code EVLASTA) using appropriate fasteners. Connect to the water drain. Check the solidity of the installation of the product, and make sure about a safely installation.
finishes	White color. Waste coupling in white Corian. Towel holder in natural beechwood. Grey rope.
maintenance	Check periodically the correct fixation of the washbasin. Clean only with neutral products, do not use aggressive or abrasive detergents; do not damage the surface.
materials	Polyurethane, steel, beechwood, nylon.

ST_PRODOTTO: EVLAPAN - REV. 01 of 12/03/2021 - 13/07/23 - APPROVED T.D.

product technical sheet



ST_PRODOTTO: EVLAPAN - REV. 01 of 12/03/2021 - 13/07/23 - APPROVED T.D.