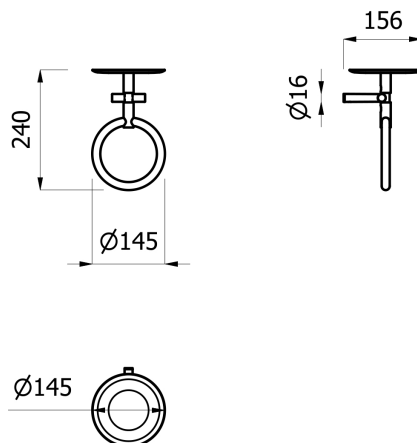


## product technical sheet

collection	<b>BUCK</b>
code	<b>EVBK01B - EVBK01N</b>
description	Combo with towel ring and small tray.
certifications	TUV system certification UNI EN ISO 9001.
features	Combo with towel ring and small tray. Frame made of zamak, towel ring made of brass, small plate made of s/s. Mat white painted RAL 9016 or mat black RAL 9011.
size	240 x 145 x 156 mm
installation	Sign on the wall the point of the position of the bushing for the fixation of the product. Make the hole, insert the fastener and fix the bushing to the wall with the screw. The groove of the bushing must be downwards. Wall fixation, with n° 1 fastener and screw, included in the package. Fasteners included are UX 8X50RS type. Verify that each fastener is suitable for the type of wall on which you want to install the product; if not, change the fasteners included in the package with a correct one. Maximum diameter for the fixation screws Ø 5 mm. Length of the bushing 20 mm Insert the product on the bushing, with the hole on the bottom, and fix the product to the bushing with the provided screw.
finishes	Painted EVBK01B: mat white RAL 9016 EVBK01N: mat black RAL 9011
maintenance	Make a proper cleaning with water and soap, do not use aggressive, abrasive, corrosive agents, acids or acetone or diluent. Do not scratch the surface. Check periodically the correct fixation of the product and the solidity of the installation. Do not use for different purposes.
materials	Zamak, aluminium, stainless steel, brass.

ST\_PRODOTTO: EVBK01B - EVBK01N - REV. 01 of 31/05/2022 - 07/06/23 - APPROVED T.D.

product technical sheet



ST\_PRODOTTO: EVBK01B - EVBK01N - REV. 01 of 31/05/2022 - 07/06/23 - APPROVED T.D.