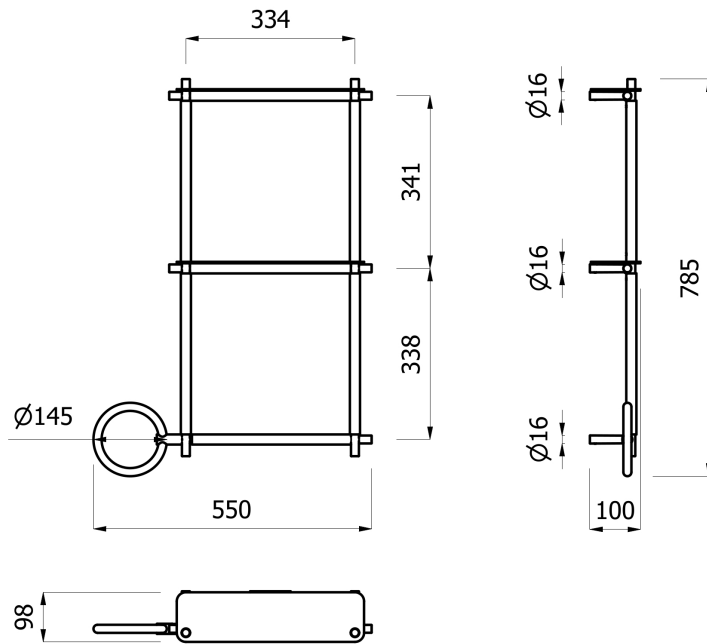


## product technical sheet

collection	<b>BUCK</b>
code	<b>EVBK12B - EVBK12N</b>
description	Configuration with two shelves, one towel holder, a towel ring; size of the shelf cm 40.
certifications	TUV system certification UNI EN ISO 9001.
features	Configuration with two shelves, one towel holder, a towel ring; size of the shelf cm 40. Zamak frame, tubes and shelves made of aluminium, brass ring. Painted mat white RAL 9016 or mat black RAL 9011. It is possible to change the position of the towel ring on the opposite side of the shelf.
size	550 x 785 x 100 mm
installation	Sign on the wall the point of the position of the bushing for the fixation of the product. Make the hole, insert the fastener and fix the bushing to the wall with the screw. Wall fixation with n° 6 fasteners and screws, included in the package. Fasteners included are UX 6X35RS type. Verify that each fastener is suitable for the type of wall on which you want to install the product; if not, change the fasteners included in the package with a correct one. Maximum diameter for the fixation screws Ø 5,3 mm. Length of the bushing 14 mm. Insert the product on the bushing, with the hole on the bottom, and fix the product to the bushings with the provided screw. To change the position of the towel holder unscrew the screw on the base of the tube, change the towel holder on another pivot and fix the towel holder with the screw.
finishes	EVBK12B: mat white RAL 9016 EVBK12N: mat black RAL 9011
maintenance	Make a proper cleaning with water and soap, do not use aggressive, abrasive, corrosive agents, acids or acetone or diluent. Do not scratch the surface. Check periodically the correct fixation of the product and the solidity of the installation. Do not use for different purposes.
materials	Zamak, aluminium, brass

ST\_PRODOTTO: EVBK12B - EVBK12N - REV. 00 of 01/06/2022 - 07/06/23 - APPROVED T.D.

product technical sheet



ST\_PRODOTTO: EVBK12B - EVBK12N - REV. 00 of 01/06/2022 - 07/06/23 - APPROVED T.D.