

product technical sheet

collection	BUCK
code	EVBK13B - EVBK13N
description	Configuration with two shelves, a towel holder, a towel ring, a lamp holder; shelves size cm 40.
certifications	TUV system certification UNI EN ISO 9001.
features	<p>Configuration with two shelves, a towel holder, a towel ring, a lamp holder; shelves size cm 40. Lamp holder suitable to connection E27, with cable 200 cm. Cable in pvc cover with fabric, with 2 conductors inside Ø 0,75 mm. The cable ends with a socket and it has a switch.</p> <p>Zamak frame, tubes and shelves made of aluminium, brass ring.</p> <p>Painted mat white RAL 9016 or mat black RAL 9011.</p> <p>Lamp not included.</p> <p>Maximum diameter of the lamp: 140 mm.</p> <p>it is possible to move the towel ring and the lamp holder on the opposite side of the shelf.</p>
size	550 x 950 x 100 mm
installation	<p>Sign on the wall the point of the position of the bushing for the fixation of the product. Make the hole, insert the fastener and fix the bushing to the wall with the screw. Wall fixation with n° 6 fasteners and screws, included in the package. TFasteners included are UX 3X35RS type. Verify that each fastener is suitable for the type of wall on which you want to install the product; if not, change the fasteners included in the package with a correct one.</p> <p>Maximum diameter for the fixation screw Ø 5,3 mm. Length of the bushing 14 mm. Insert the product on the bushings, with the hole on the bottom, and fix the product to the bushings with the screw provided.</p> <p>To change the position of the towel holder and the lamp holder, unscrew the screws at the base of the towel holder and the tube of the lamp holder, move the towel holder and the lamp holder on other pivots and fix them with the screws.</p> <p>Screw a proper bulb. Do not exceed the diameter indicated when you choose the bulb in order to allow the air passage between the bulb and the wall.</p> <p>Connect the socket to the electrical plug.</p> <p>Switch on and off the lamp with the switch.</p> <p>To disconnect the socket, do not pull the cable, but pull on the plug.</p>
finishes	<p>EVBK13B: mat white RAL 9016</p> <p>EVBK13N: mat black RAL 9011</p>
maintenance	Make a proper cleaning with water and soap, do not use aggressive, abrasive, corrosive agents, acids or acetone or diluent. Do not scratch the surface. Check

ST_PRODOTTO: EVBK13B - EVBK13N - REV. 00 of 01/06/2022 - 07/06/23 - APPROVED T.D.

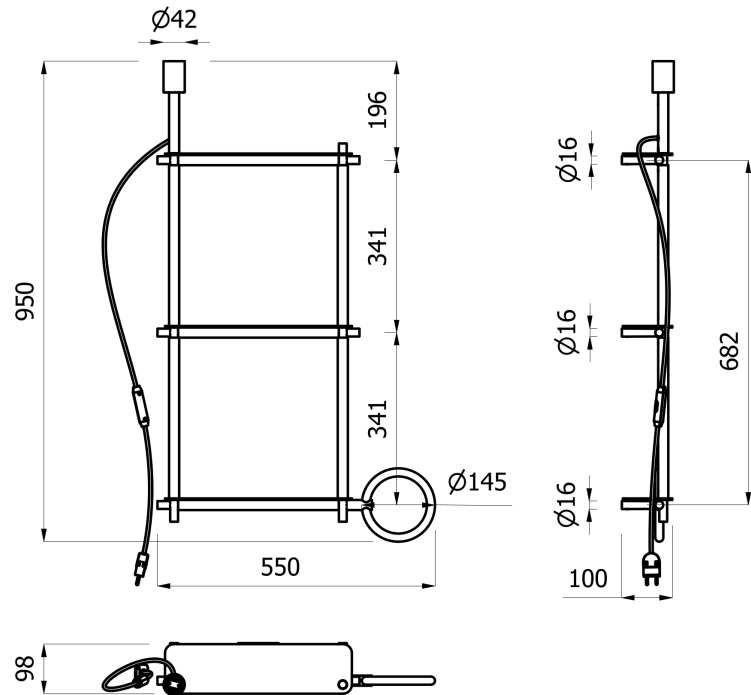
product technical sheet

periodically the correct fixation of the product and the solidity of the installation. Do not use for different purposes.

Do not use the product if the electrical devices are damaged.

materials

Zamak, aluminium, brass, pvc covered with fabric.



ST_PRODOTTO: EVBK13B - EVBK13N - REV. 00 of 01/06/2022 - 07/06/23 - APPROVED T.D.