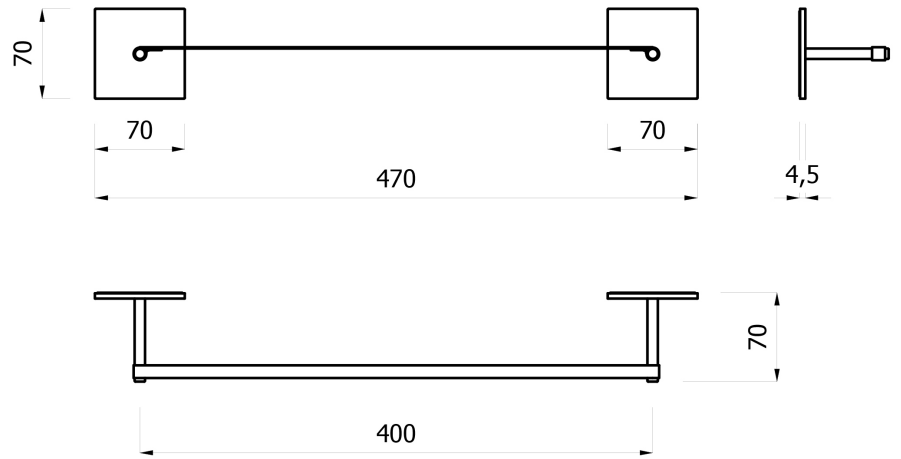
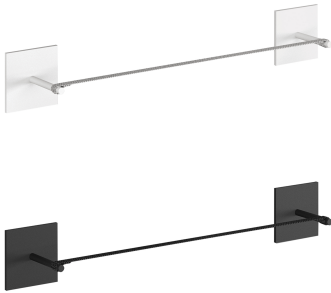


product technical sheet

collection	CLICK
code	EVCKPSAB - EVCKPSAN
description	Towel holder
certifications	TUV system certification UNI EN ISO 9001.
features	Towel holder made of technical fabric for magnetic wall band.
size	EVCKPSAB - EVCKPSAN: 470 x 70 x 70 mm
installation	Clean extremely carefully the surface on which you are going to stick the metal band, rinse with water to remove any detergent residues, dry and use the degreaser wipes included in the package over the gluing area. Level the metal band. Remove the film from the adhesive tape, stick the metal band and press strongly over the whole surface to better adhere the adhesive on the wall. Wait 48 hours before the installation of the accessories. Avoid to stick on surfaces that are not totally flat, or on porous surfaces. We do not recommend to install it on painted surfaces. Do not install it inside the shower cabin.
finishes	EVCKPSAB: mat white RAL 9016, ice grey fabric EVCKPSAN: mat black RAL 9011, black fabric
maintenance	Clean the fabric with neutral soap with a temperature maximum at 30° C. Do not iron, do not dry clean, do not dry in the dryer. Clean the metal parts with water and soap. Do not scratch the paint. Do not use aggressive products, or abrasive, corrosive, acids, acetone, diluent etc. Do not scratch the surface. Check periodically the correct fixation of the installation and its solidity. Do not use the product for any other purpose.
materials	Steel, PVC and PES.

ST_PRODUCTS: EVCKPSAB - EVCKPSAN - REV. 00 of 26/05/2022 - 20/06/24 - APPROVED T.D.

product technical sheet



ST_PRODUCTS: EVCKPSAB - EVCKPSAN - REV. 00 of 26/05/2022 - 20/06/24 - APPROVED T.D.