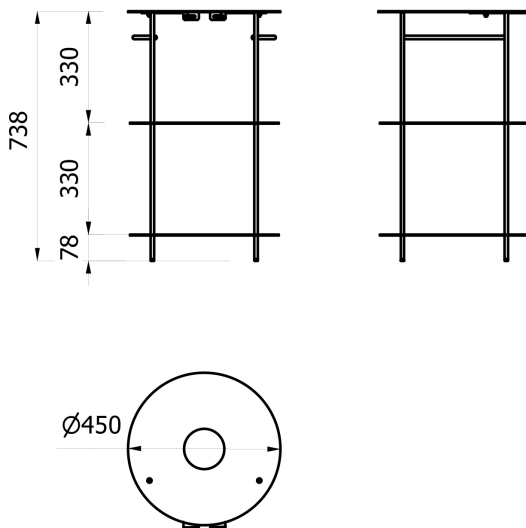


product technical sheet

collection	MOBBY
code	EVMSTOB - EVMSTON
description	Rounded vanity for washbasin
certifications	TUV system certification UNI EN ISO 9001.
features	Rounded vanity with integrated towel holder for washbasin Stony. Provided with fixing wall system with small brackets. Possibility to customize the middle shelf with one of the three finishes available in marble effect. (cod. EVMBGP02B, EVMBGP02N, EVMBGP02V). Frame made of rounded profiles 1 cm.
size	738 x Ø450 mm.
installation	On the holes of the vanity, install the small brackets with the screws included in the package. Remove the film on the adhesive tape on the washbasin. Put the Stony on the surface, and assure to center it. Connect the water drain. Fix the brackets to the wall with the fasteners, included in the package. Fasteners included are UX 8X50RS type, n 2 pieces. It necessary to verify always that the screws and fasteners provided with the product are suitable for the type of wall on which you are going to install the product, in case of different needs, change them. Verify a proper installation, solid and safe.
finishes	EVMSTOB: mat white RAL 9016 EVMSTON: mat black RAL 9011 EVMBGP02B: APUANE EVMBGP02N: ETNA EVMBGP02V: ELBA
maintenance	Make a proper cleaning with water and soap, do not use aggressive products, abrasive or corrosive, acetone or diluent etc. Do not scratch the surface. Check periodically the correct fixation of the products. Do not use for different purposes.
materials	Steel.

ST_PRODUCT: EVMSTOB - EVMSTON - REV. 01 13/07/2023 - 13/12/24 - APPROVED T.D.

product technical sheet



ST_PRODUCT: EVMSTOB - EVMSTON - REV. 01 13/07/2023 - 13/12/24 - APPROVED T.D.