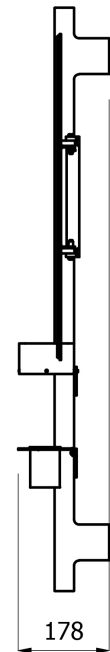
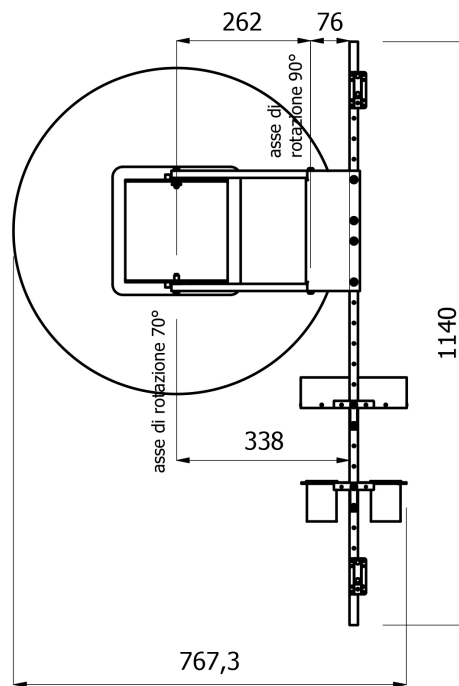
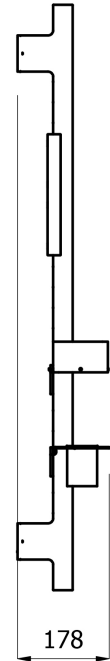
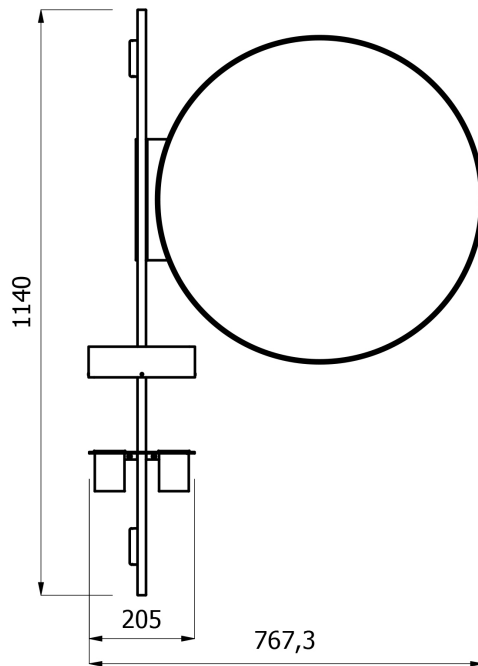
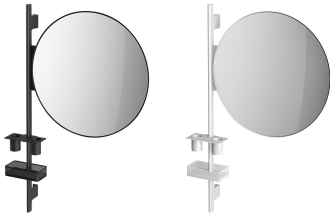


product technical sheet

collection	PROP
code	EVBAPK2B - EVBAPK2N
description	Vertical bar (H 1140 mm) complete with mirror, shelf with mesh bowl and shelf with tumblers.
certifications	TUV system certification UNI EN ISO 9001.
performances	Load capacity 120 Kg.
features	Configuration Prop with bar wall mounted made of extruded aluminium (H 1140 mm) with shelf with rectangular meshed bowl, shelf with tumblers and rounded mirror mounted on an adjustable bracket to allow the regulation of the position of the mirror. Painted mat white or mat black.
size	1140 x 762.5 x 178 mm
installation	Fissaggio delle staffe a muro tramite n°4 viti e tasselli, compresi nella confezione. Tasselli inclusi tipo UX 6X35. Verificare che i tasselli siano adeguati al tipo di muratura su cui si installerà il prodotto ed eventualmente sostituire i tasselli della confezione con tasselli di tipologia idonea. Verificare che la barra sia agganciata in modo solido e sicuro.
finishes	EVBAPK2B: painted color mat white EVBAPK2N: painted color mat black
maintenance	Clean properly with soap and water, do not use aggressive, abrasive, corrosive, acidic, acetone, thinner etc products. Do not scratch the surface. Check periodically the correct fixation and the solidity of the installation. Do not use the product for purposes other than those intended.
materials	Extruded aluminium. Glass

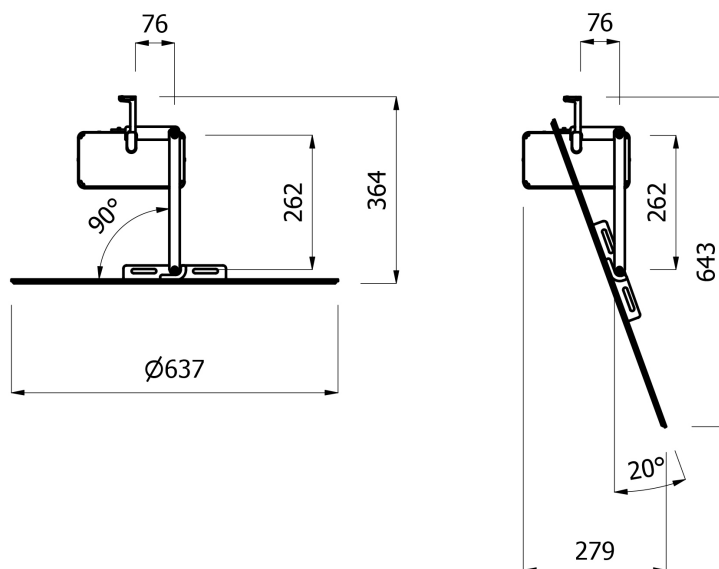
ST_PRODOTTO: EVBAPK2B - EVBAPK2N - REV. 01 del 26/10/2021 - 27/01/25 - APPROVED T.D.

product technical sheet



ST_PRODOTTO: EVBAPK2B - EVBAPK2N - REV. 01 del 26/10/2021 - 27/01/25 - APPROVED T.D.

product technical sheet



ST_PRODOTTO: EVBAPK2B - EVBAPK2N - REV. 01 del 26/10/2021 - 27/01/25 - APPROVED T.D.