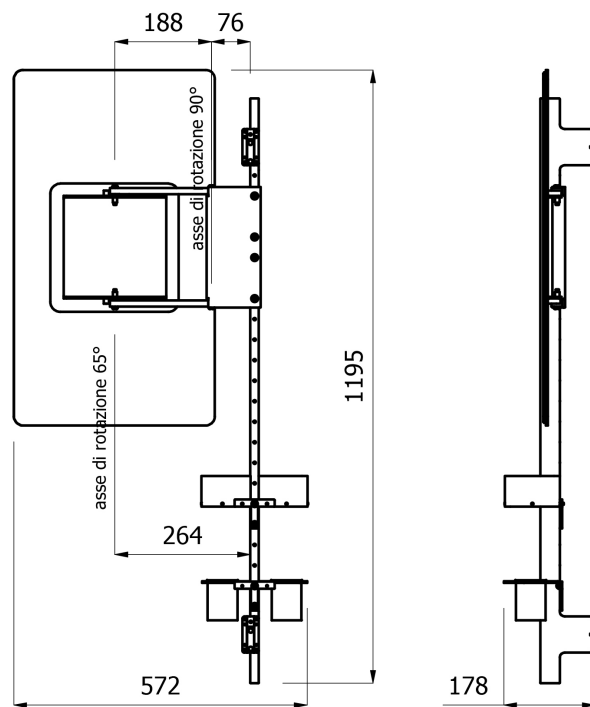
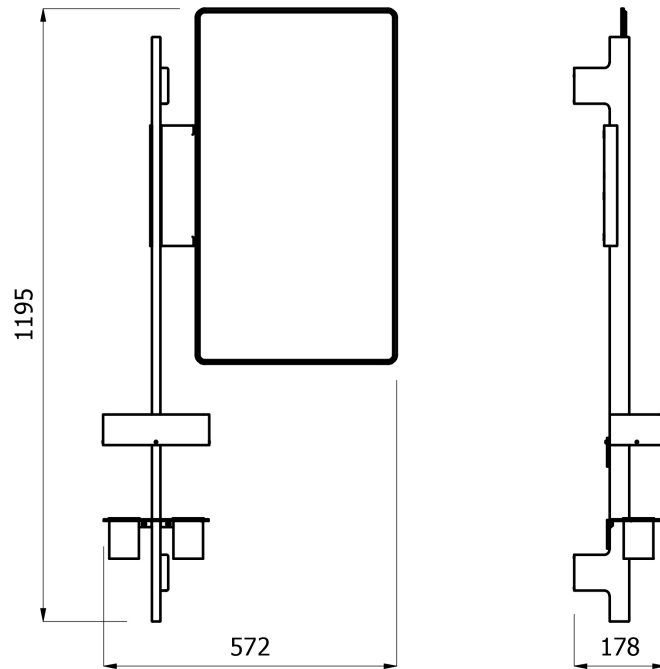


## product technical sheet

collection	<b>PROP</b>
code	<b>EVBAPK8B - EVBAPK8N</b>
description	Vertical bar (H 1140 mm) complete with rectangular mirror, 1 shelf with tumblers and 1 shelf with rectangular meshed bowl.
certifications	TUV system certification UNI EN ISO 9001.
performances	Load capacity 120 Kg.
features	Configuration Prop with extruded aluminium bar wall mounted (H 1140 mm), complete with one shelf with tumblers, one shelf with rectangular meshed bowl and rectangular mirror installed on an adjustable bracket, to allow the regulation of its position. Mat white or mat black painted.
size	1195 x 572 x 178 mm
installation	Fixation of the brackets to the wall with 4 screws and fasteners included in the package. Fasteners provided are UX 6X35 type. Verify that the type of fasteners provided are suitable for the type of wall on which you are going to install the products; if not, change them and choose a proper type. Verify that the bar is fixed properly and check the solidity of the installation.
finishes	EVBAPK8B: mat white painted EVBAPK8N: mat black painted
maintenance	Clean properly with soap and water, do not use aggressive, abrasive, corrosive, acidic, acetone, thinner etc products. Do not scratch the surface. Check periodically the correct fixation and the solidity of the installation. Do not use the product for purposes other than those intended.
materials	Extruded aluminium, glass

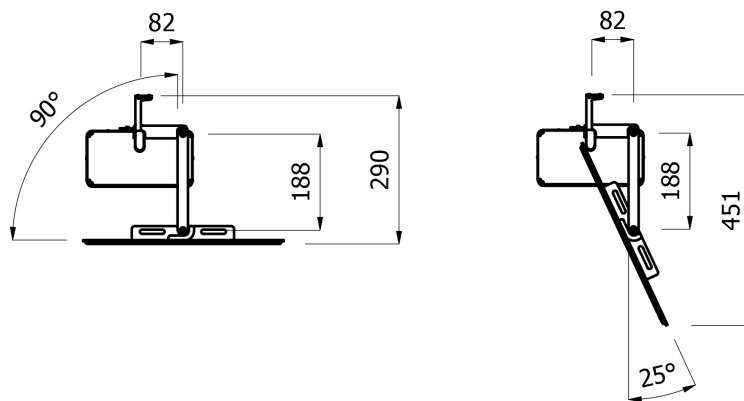
ST\_PRODOTTO: EVBAPK8B - EVBAPK8N - REV. 01 del 26/10/2021 - 27/01/25 - APPROVED T.D.

product technical sheet



ST\_PRODOTTO: EVBAPK8B - EVBAPK8N - REV. 01 del 26/10/2021 - 27/01/25 - APPROVED T.D.

product technical sheet



ST\_PRODOTTO: EVBAPK8B - EVBAPK8N - REV. 01 del 26/10/2021 - 27/01/25 - APPROVED T.D.