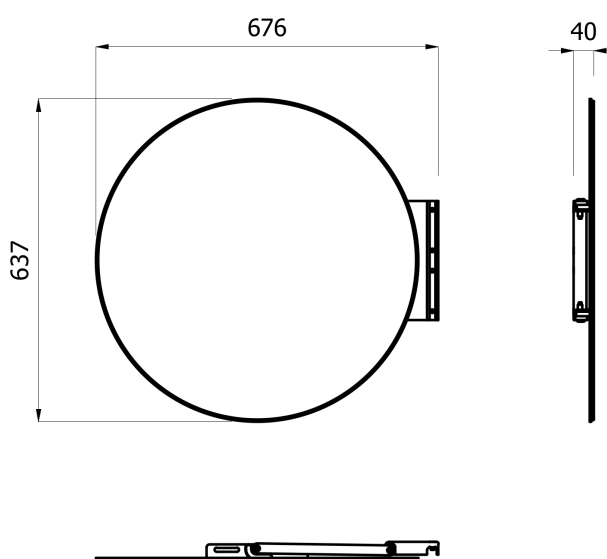
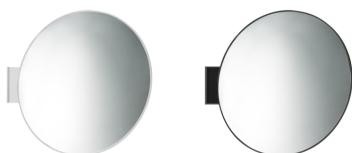
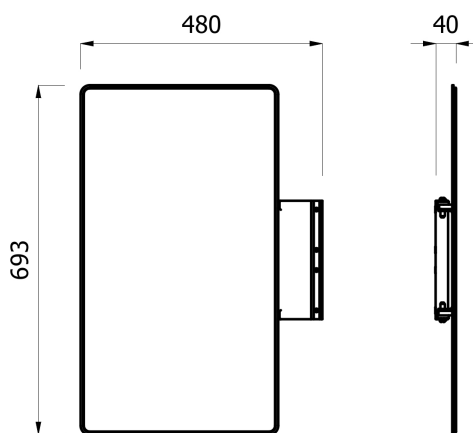


product technical sheet

collection	PROP
code	EVBASTBBN - EVBASTBNN - EVBASRBBN - EVBASRBNN
description	Mirror for Prop bar.
certifications	TUV system certification UNI EN ISO 9001.
features	Rectangular mirror (EVBA SR BBN - EVBA SR BNN) or round (EVBA ST BBN - EVBA ST BNN) to fix on the Prop bar. With bottom and bracket painted, white or black. bianco o nero.
size	EVBA ST B: 676x637x40 mm EVBA SR B: 480x693x40 mm
installation	Fix the mirror to the bar with the apposit screws. Verify the correct fixation of the screws.
finishes	EVBA ST BBN - EVBA SR BBN: bottom and bracket mat white painted EVBA ST BNN - EVBA SR BNN: bottom and bracket mat black painted
maintenance	Make a proper cleaning with water and soap. Do not use aggressive, corrosive or abrasive products, acids, acetone or thinner, etc. Dry with a soft cloth. Follow meticulously the indication written in the use and maintenance of the product. Do not scratch the surface. Check periodically the correct fixation and the solidity of the installation. Do not use the product for purposes other than those intended.
materials	Glass, aluminium.

ST_PRODOTTO: EVBASxBxN - REV.01 of 05/11/2021 - 07/06/23 - APPROVED T.D.

product technical sheet



ST_PRODOTTO: EVBASxBxN - REV.01 of 05/11/2021 - 07/06/23 - APPROVED T.D.