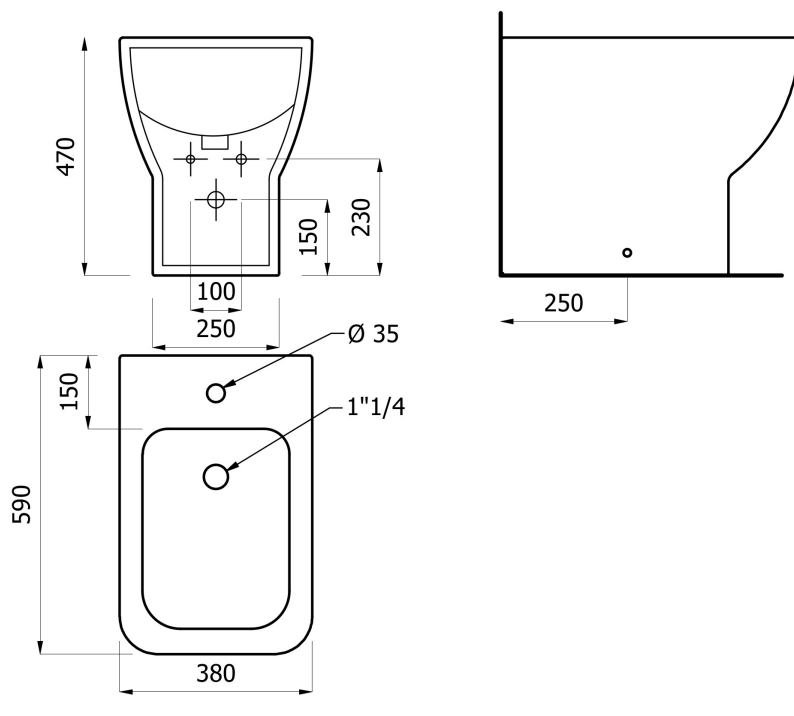


## product technical sheet

collection	<b>STYLE 47</b>
code	<b>428</b>
description	Floor standing bidet. Back to wall type.
certifications	TUV system certification UNI EN ISO 9001. In compliance with EU regulation for building products 305/2011. Reference rule: UNI EN 14528.
features	Floor standing bidet. Back to wall type. Height 47 cm. Complete with overflow. The height and the wide dimension mean stability, high level of comfort and elegance. Horizontal fasteners suitable for commercial standard brackets ( not included ). Waste fitting not included.
size	590 x 380 x 470 mm.
installation	Use general fixing elements like " hidden fastening for wc and bidet floor standing with lateral holdes". Fixing elements not included in the package. Connect inlet and outlet. Verity the safety and solidty of the installation.
finishes	White color.
maintenance	Make a proper cleaning with water and soap. Do not use aggressive, corrosive or abrasive products, acids, acetone or thinner, etc. Dry with a soft cloth. Follow meticulously the indication written in the use and maintenance of the product. Do not scratch the surface. Non graffiare la superficie. Check periodically the correct fixation and the solidity of the installation. Do not use the product for purposes other than those intended.
materials	Vitreous china.

ST\_PRODOTTO: 428 - REV. 01 of 30/04/2021 - 07/06/23 - APPROVED T.D.

product technical sheet



ST\_PRODOTTO: 428 - REV. 01 of 30/04/2021 - 07/06/23 - APPROVED T.D.