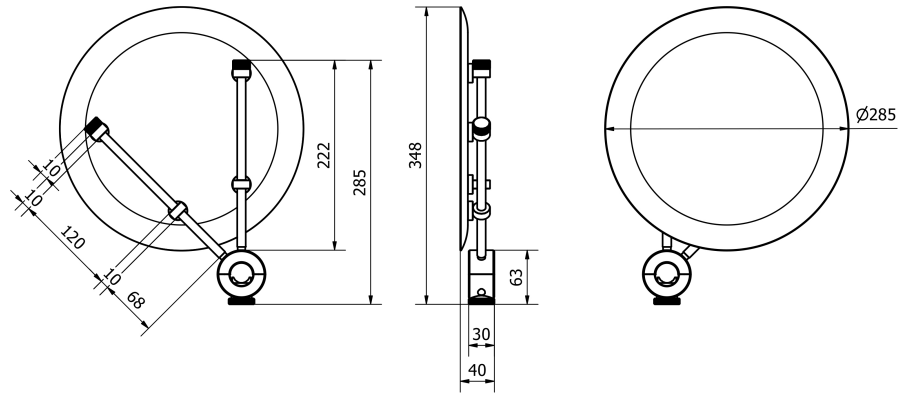


## product technical sheet

collection	<b>YOU</b>
code	<b>EVYUVAS0033NNO</b>
description	Rounded tray with support.
certifications	TUV system certification ISO 9001.
performances	Maximum load 2kg.
features	Adjustable cylindrical support in aluminium for fastening on pole Ø25mm with rounded tray Ø285mm made of steel with support brackets in aluminium with magnetic anchoring system.
size	348 x 285 x 40 mm
installation	Put the two shells of the support around the pole and screw them completely. Put the support at the desired height and fix it properly by working on the ring. Screw the accessories on the threaded holes and follow installation instructions.
finishes	Painted mat black RAL 9011.
maintenance	Make a proper cleaning with water and soap, do not use aggressive products, or abrasive, corrosive, acids, acetone, diluent etc. Do not scratch the surface. Check periodically the correct fixation of the installation and its solidity. Do not use the product for any other purpose.
materials	Tray: steel. Support: painted aluminium.

ST\_PRODOTTO: EVYUVAS0033NNO - REV.00 of 26/02/2024 - 20/06/24 - APPROVED T.D.

product technical sheet



ST\_PRODOTTO: EVYUVAS0033NNO - REV.00 of 26/02/2024 - 20/06/24 - APPROVED T.D.