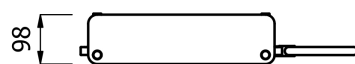
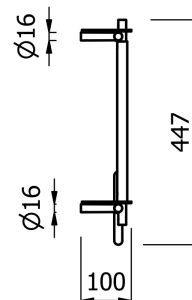
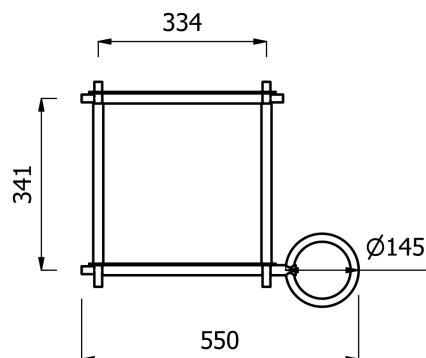


product technical sheet

collection	BUCK
code	EVBK11B - EVBK11N
description	Configuration vertical with two shelves and towel ring; shelves size cm 40.
certifications	TUV system certification NI EN ISO 9001.
features	Configuration vertical with two shelves and towel ring; shelves size cm 40. Support in zamak, tubes and shelves made of aluminium, brass ring. Mat white painted RAL 9016 or mat black RAL 9011. It is possible to change the position of the towel holder.
size	550 x 447 x 100 mm
installation	Sign on the wall the point of the position of the bushing for the fixation of the product. Make the hole, insert the fastener and fix the bushing to the wall with the screw. Wall fixation with n° 4 fasteners and screws, included in the package. Fasteners included UX 6X35RS type. Verify that each fastener is suitable for the type of wall on which you want to install the product; if not, change the fasteners included in the package with a correct one. Maximum diameter for the fixation screws \varnothing 5,3 mm. Length of the bushing 14 mm. Insert the product on the bushing, with the hole on the bottom, and fix the product on the bushings with the provided screw. To change the position of the towel holder, unscrew the fixation screw at the base of the tube, change the position of the towel holder on another pivot and fix the towel holder with the screw.
finishes	EVBK11B: mat white RAL 9016 EVBK11N: mat black RAL 9011
maintenance	Make a proper cleaning with water and soap, do not use aggressive, abrasive, corrosive agents, acids or acetone or diluent. Do not scratch the surface. Check periodically the correct fixation of the product and the solidity of the installation. Do not use for different purposes.
materials	Zamak, aluminium, brass.

ST_PRODOTTO: EVBK11B - EVBK11N - REV. 00 of 01/06/2022 - 07/06/23 - APPROVED T.D.

product technical sheet



ST_PRODOTTO: EVBK11B - EVBK11N - REV. 00 of 01/06/2022 - 07/06/23 - APPROVED T.D.