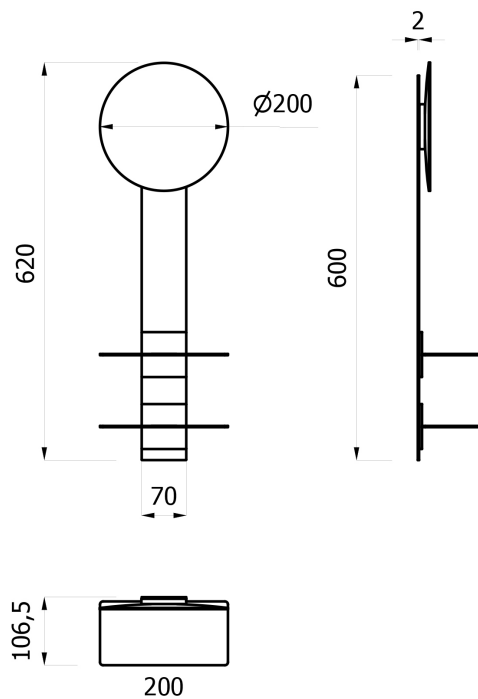


## product technical sheet

|                |  |
|----------------|--|
| collection     | <b>CLICK</b>   |
| code           | <b>EVCK05B - EVCK05N</b>   |
| description    | Vertical configuration with adhesive tape 60 cm, mirror and shelves.   |
| certifications | TUV system certification UNI EN ISO 9001.  |
| features       | Configuration complete with adhesive system for smooth and flat surfaces. It includes magnetic accessories like the magnifying mirror 2X and 2 shelves 20 cm long.   |
| size           | EVCK05B - EVCK05N: 620 x 200 x 106,5 mm  |
| installation   | Clean extremely carefully the surface on which you are going to stick the metal band, rinse with water to remove any detergent residues, dry and use the degreaser wipes included in the package over the gluing area. Level the metal band. Remove the film from the adhesive tape, stick the metal band and press strongly over the whole surface to better adhere the adhesive on the wall. Wait 48 hours before the installation of the accessories. Avoid to stick on surfaces that are not totally flat, or on porous surfaces. We do not recommend to install it on painted surfaces. <b>DO NOT INSTALL</b> the product in particularly humid environments such as shower cabins, bathtubs, Turkish baths, etc. |
| finishes       | EVCK05B: mat white RAL 9016<br>EVCK05N: mat black RAL 9011   |
| maintenance    | Make a proper cleaning with water and soap, do not use aggressive products, or abrasive, corrosive, acids, acetone, diluent etc. Do not scratch the surface. Check periodically the correct fixation of the installation and its solidity. Do not use the product for any other purpose.   |
| materials      | Steel, glass, PVC  |

ST\_PRODUCT: EVCK05B - EVCK05N - REV. 00 of 26/05/2022 - 20/06/24 - APPROVED T.D.

product technical sheet



ST\_PRODUCT: EVCK05B - EVCK05N - REV. 00 of 26/05/2022 - 20/06/24 - APPROVED T.D.